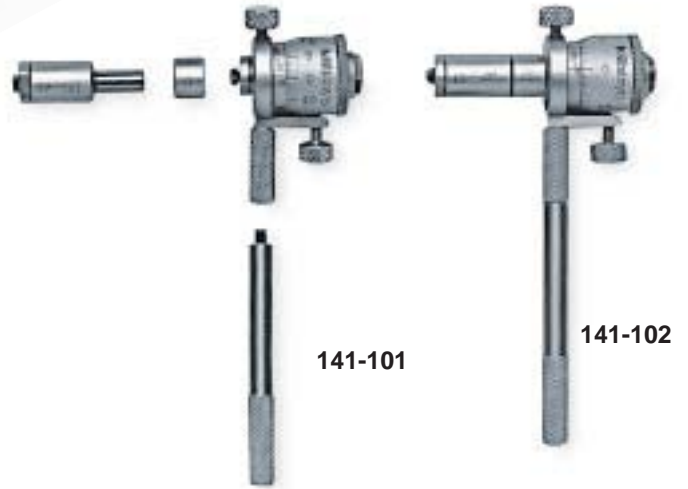
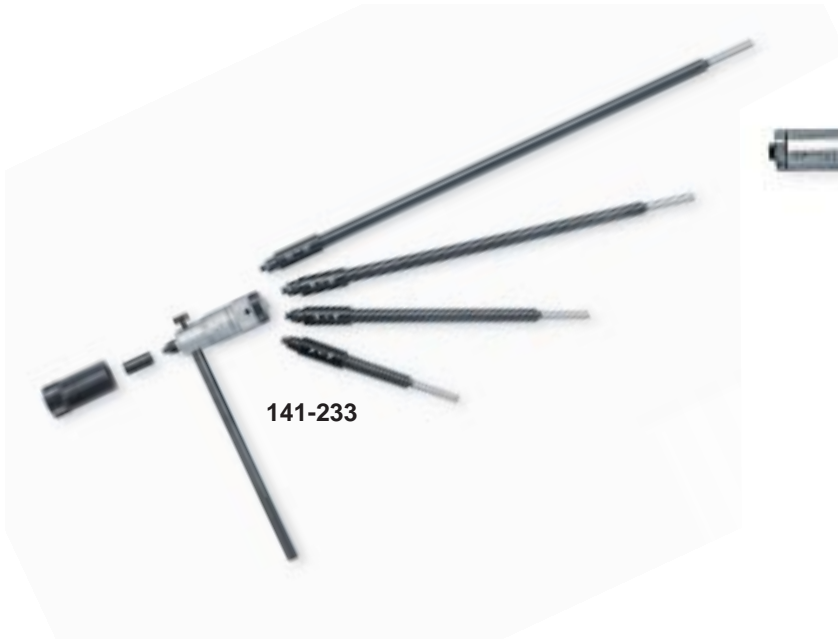


## Inside Micrometers

### *Series 141 – Interchangeable Type*



The 141 Series Inside Micrometers are probably the most frequently used inside measuring instruments because of their wide range and simplicity in measuring operation. No. **141-233**, (photo shown), consists of 5 interchangeable rods, .500" micrometer head, .500" collar 1" extension and handle. The range covered by this unit is 2" to 12".

To provide point contact, all contact points are made spherical and hardened for extra long tool life. The overall accuracy is .0004" up to 12" (300mm), .001" thereafter to 40".

### **Features**

- Each interchangeable rod is marked with its measuring range.
- Both micrometer head and furnished rods are satin-chrome finished throughout.
- Positive locking clamp attached on No. **141-101** and **141-102**. No lock on the larger sizes.
- Supplied with fitted carrying case.

For closer tolerance work it is recommended that the micrometer with a rod inserted be calibrated with a known size such as a ring gage. The setting ring for "Holtest" would be an ideal choice.

#### **No. 141-102**

As shown here, the Micrometer Head has a 0–.250" range, reading in thousandths. A detachable holder provides easy access when measuring inside diameters within deep holes. For 1" to 1.250" range, the micrometer

is used without the rod or collar.

For 1.250" to 1.500" a .250" collar is added between the rod and head. For 1.500" to 1.750" range, the rod is replaced. For 1.750" to 2", the collar is added between the rod and head. Thus, it measures 1" to 2"–.250" at a time.

#### **No. 141-233**

Since this Inside Micrometer comes with a .500" range Micrometer Head, the combining of rod, collar and extended thimble is made simpler. For instance: the rod marked 4–6" measures from 4"–4.5". For 4.5–5" range, the .500 collar is added. For 5"–5.5" the extension thimble is used and for 5.5" to 6" the extension thimble and collar are used.

Both measuring ends are hardened and have micro-lapped finish for lasting accuracy.

# INSIDE MICROMETERS

## Specifications

### Inside Micrometers—Interchangeable Rod Type

#### Inch

Order No.	Range	Spacing Collar	Diameter of Rods	Remarks
141-102	1–2"	.250"	.248"	Includes <b>141-002</b> and 2 pcs rods
141-208	2–8"	.500"	.248"	Includes <b>141-026</b> , 3 rods and 1" extended thimble
141-233	2–12"	.500"	.248"	Includes <b>141-026</b> , 5 rods and 1" extended thimble
141-121	8–20"	1", 2"	.355"	Includes <b>141-010</b> and 3 pcs rods
141-122	8–40"	1", 2"	.355"	Includes <b>141-010</b> and 8 pcs rods

#### Metric

Order No.	Range	Spacing Collar	Diameter of Rods	Remarks
141-101	25–50mm	6.0mm	6.3mm	Includes <b>141-001</b> and 2 pcs rods
141-205	50–200mm	12.0mm	6.3mm	Includes <b>141-025</b> , 3 rods and 25mm extended thimble
141-206	50–300mm	12.0mm	6.3mm	Includes <b>141-025</b> , 5 rods and 25mm extended thimble
141-117	200–500mm	25mm, 50mm	9.0mm	Includes <b>141-009</b> and 3 pcs rods
141-118	200–1000mm	25mm, 50mm	9.0mm	Includes <b>141-009</b> and 8 pcs rods

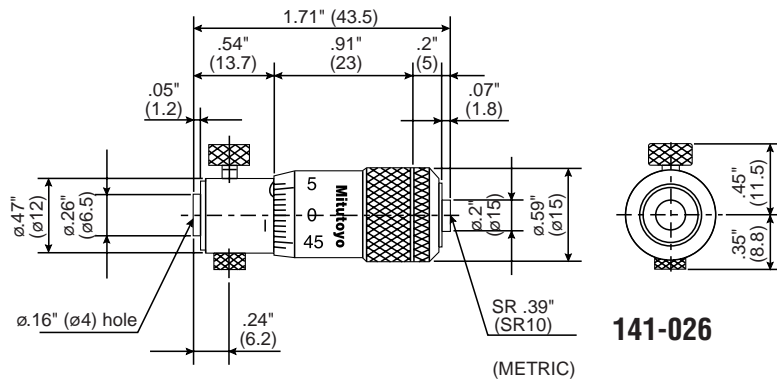
### Micrometer Heads

#### Inch

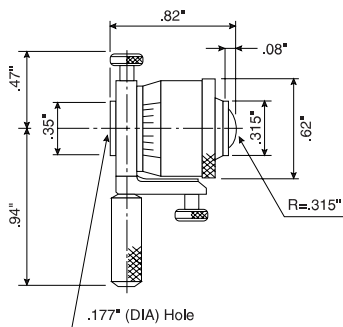
Order No.	Head Travel	Resolution	Accuracy
141-002	.25"	.001"	±.0001"
141-026	.50"	.001"	±.0001"
141-010	1.00"	.001"	±.0001"

#### Metric

Order No.	Head Travel	Resolution	Accuracy
141-001	7.0mm	0.01mm	±0.003mm
141-025	13.0mm	0.01mm	±0.003mm
141-009	25.0mm	0.01mm	±0.003mm



141-026



141-001

