



# THOR HAMMER

COMPANY LIMITED

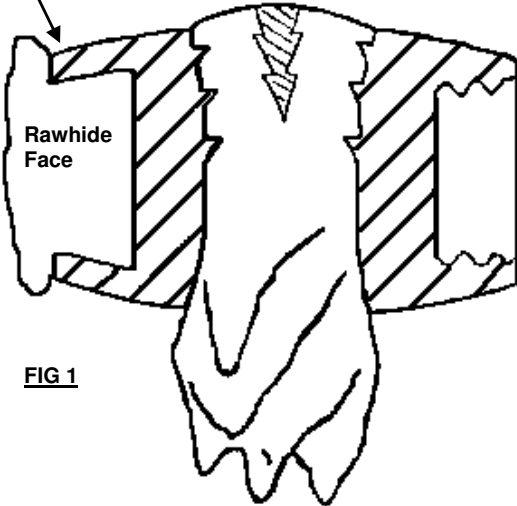
Registered Office:  
**HIGHLANDS ROAD • SHIRLEY • NR. BIRMINGHAM B90 4NJ • ENGLAND**  
Tel: +44 (0) 121-705 4695 Fax: +44 (0) 121 705 4727  
e-mail: [info@thorhammer.com](mailto:info@thorhammer.com) [www.thorhammer.com](http://www.thorhammer.com)



## **RECOMMENDED METHOD OF RE-FACING RAWHIDE AND COPPER HAMMERS**

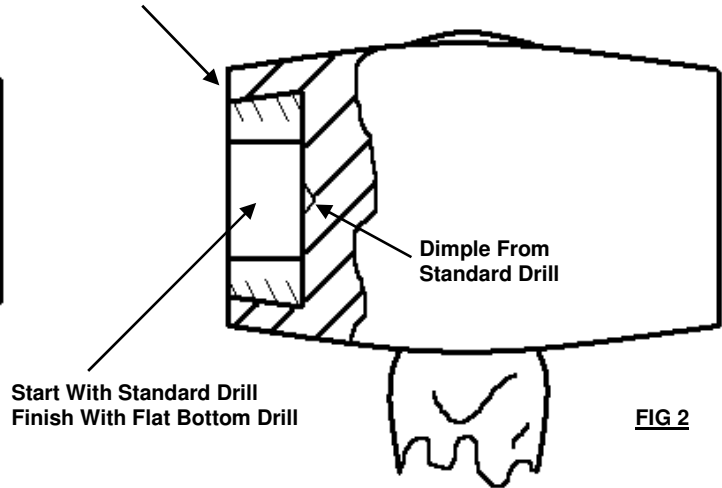
(Always ensure Head and Handle are not damaged or loose before replacing faces)

Renew Hide Face Before Damage Occurs Here



**FIG 1**

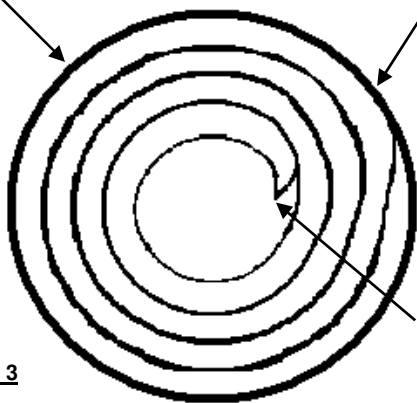
Hacksaw Flush Before Drilling



**FIG 2**

Outside of Head

Coiled Rawhide

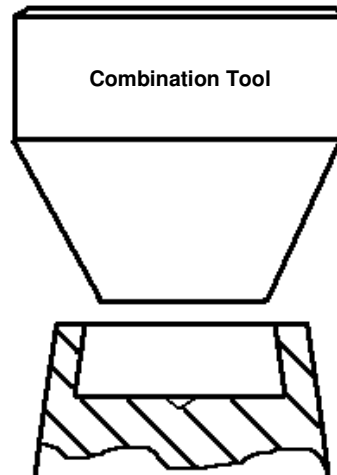


**FIG 3**

**Front View Of Rawhide Face After Drilling**

Hydraulic Press or Similar

Combination Tool



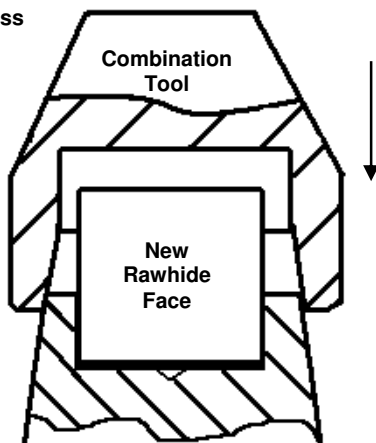
**FIG 4**

**Opening Rims**

Hydraulic Press or Similar

Combination Tool

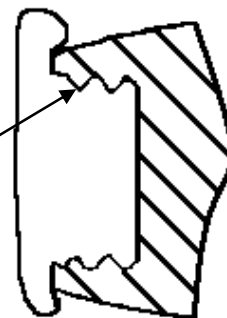
New Rawhide Face



**FIG 5**

**Closing Rims**

Grooved Edge On Casting For Copper Face



**FIG 6**

Copper Will Mushroom Over And In This State Lasts Almost Indefinitely



# THOR HAMMER

COMPANY LIMITED

Registered Office:

**HIGHLANDS ROAD • SHIRLEY • NR. BIRMINGHAM B90 4NJ • ENGLAND**

**Tel: +44 (0) 121-705 4695**

**e-mail: [info@thorhammer.com](mailto:info@thorhammer.com)**

Registered No. 189360 England

**Registered No. 189360 England**

**Fax: +44 (0) 121 705 4727**

**[www.thorhammer.com](http://www.thorhammer.com)**



## **RECOMMENDED METHOD OF RE-FACING RAWHIDE AND COPPER HAMMERS**

**Before changing faces please read through the following.**

### FIG1:

Faces should be replaced before damage occurs to the head of the hammer. First check that the handle is not damaged. If damaged it should be replaced with the correct size, shape and type of handle. Check also that the handle is not loose in the head. If loose the handle where possible should be re-secured or replaced.

### FIG2:

Remove as much of the old face as possible by cutting flush or nearly flush with the head. Drill out the centre of the face being careful not to drill into the head. Use a flat bottom drill or milling cutter to remove as much of the face as possible again without damaging the head.

### FIG3:

After a while it may be possible to grip the centre of the old rawhide face and collapse it inwards.

### FIG4:

Once the old face has been removed the rim of the head needs to be opened out to accept the new face. The rim should only be opened sufficient for the new face to fit and no more. The best way to carry out this operation is with a suitable press and Combination Opening/Closing tool. A drawing of this special tool is available from the Thor Hammer sales office.

### FIG5:

With the new face located in the head reverse the Combination Tool and using a suitable press close the head around the new face. Again the rim should only be closed sufficient for the face to be securely held. If correctly fitted you should not be able to rotate the face.

### FIG6:

While many customers do replace rawhide faces, used copper faces can be particularly difficult to remove. There are small grooves in the copper socket into which the copper spreads during use. The copper we use is 99% pure and, being soft, will after considerable use, mushroom over the hammer head. Depending upon the application once the face is in this state the copper lasts almost indefinitely without further deformation. Many customers find it more economical to use the copper end to destruction and then replace the complete hammer.