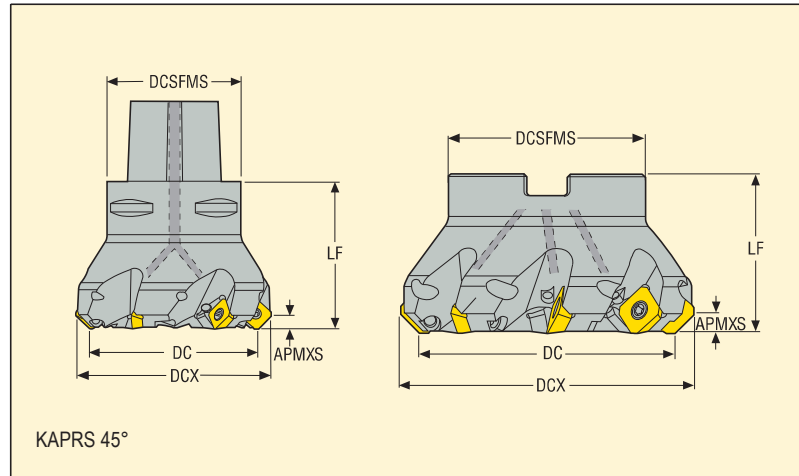


R217/220.53-12



- For insert selection and cutting data recommendations, see page(s) 147–148
- For complete insert programme, see page(s) 662
- For ISO attribute explanation, see page 15



Designation	Type of mounting	Dimensions in mm						Flutes	KG	Inserts	Insert
		APMXS	DCX	DC	DCSFMS	DCB	LF				
C5-R217.53-040-12-3A	Seco-Capto	6,0	52,0	40,0	50,0	–	55,0	3	0,8	16500	SE.X1204
C6-R217.53-040-12-3A	Seco-Capto	6,0	52,0	40,0	63,0	–	63,0	3	1,3	16500	SE.X1204
R220.53-0040-12-3A	Arbor	6,0	52,0	40,0	47,0	22,0	40,0	3	0,4	16500	SE.X1204
C5-R217.53-050-12-4A	Seco-Capto	6,0	62,0	50,0	50,0	–	55,0	4	0,9	14800	SE.X1204
C6-R217.53-050-12-4A	Seco-Capto	6,0	62,0	50,0	63,0	–	63,0	4	1,3	14800	SE.X1204
R220.53-0050-12-4A	Arbor	6,0	62,0	50,0	47,0	22,0	40,0	4	0,5	14800	SE.X1204
C5-R217.53-063-12-5A	Seco-Capto	6,0	75,0	63,0	50,0	–	55,0	5	1,1	13200	SE.X1204
C6-R217.53-063-12-5A	Seco-Capto	6,0	75,0	63,0	63,0	–	63,0	5	1,6	13200	SE.X1204
R220.53-0063-12-5A	Arbor	6,0	75,0	63,0	47,0	22,0	40,0	5	0,6	13200	SE.X1204
C5-R217.53-080-12-6A	Seco-Capto	6,0	92,0	80,0	50,0	–	55,0	6	1,2	11700	SE.X1204
C6-R217.53-080-12-6A	Seco-Capto	6,0	92,0	80,0	63,0	–	63,0	6	1,9	11700	SE.X1204
R220.53-0080-12-6A	Arbor	6,0	92,0	80,0	62,0	27,0	50,0	6	1,1	11700	SE.X1204
R220.53-0100-12-5A	Arbor	6,0	112,0	100,0	77,0	32,0	50,0	5	1,8	10500	SE.X1204
R220.53-0100-12-7A	Arbor	6,0	112,0	100,0	77,0	32,0	50,0	7	1,8	10500	SE.X1204
R220.53-0125-12-6A	Arbor	6,0	137,0	125,0	90,0	40,0	63,0	6	3,1	9400	SE.X1204
R220.53-0125-12-8A	Arbor	6,0	137,0	125,0	90,0	40,0	63,0	8	1,4	9400	SE.X1204
R220.53-8160-12-7	Arbor	6,0	172,0	160,0	90,0	40,0	63,0	7	4,6	8300	SE.X1204
R220.53-8160-12-10	Arbor	6,0	172,0	160,0	90,0	40,0	63,0	10	4,6	8300	SE.X1204

Spare Parts

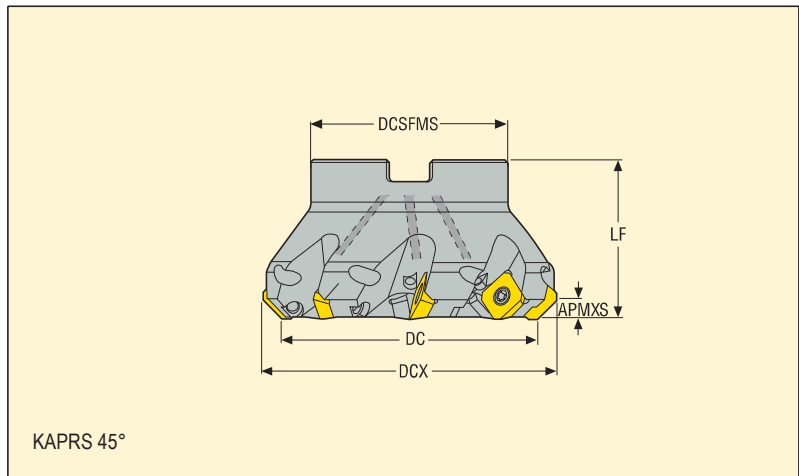
For cutter	Key (T-handle)	Insert screw	Insert key	Arbor screw	Torque value (Nm)
R217.53-12	DOUBLE-T	C04011-T15P	H4B-T15P	–	3,5
R220.53-0040-0063	DOUBLE-T	C04011-T15P	H4B-T15P	220.17-696	3,5
R220.53-0080	DOUBLE-T	C04011-T15P	H4B-T15P	–	3,5
R220.53-0100-8160	DOUBLE-T	C04011-T15P	H4B-T15PL	–	3,5

Please check availability in current price and stock-list
Torque keys, see page 732

R220.53-12



- For insert selection and cutting data recommendations, see page(s) 147–148
- For complete insert programme, see page(s) 662
- For ISO attribute explanation, see page 15



Designation	Type of mounting	Dimensions in mm						Number of inserts	Weight (KG)	Number of teeth	Insert
		APMXS	DCX	DC	DCSFMS	DCB	LF				
R220.53-0040-12-4A	Arbor	6,0	52,0	40,0	47,0	22,0	40,0	4	0,4	16500	SE.X1204
R220.53-0050-12-5A	Arbor	6,0	62,0	50,0	47,0	22,0	40,0	5	0,4	14800	SE.X1204
R220.53-0063-12-6A	Arbor	6,0	75,0	63,0	47,0	22,0	40,0	6	0,6	13200	SE.X1204
R220.53-0080-12-8A	Arbor	6,0	92,0	80,0	62,0	27,0	50,0	8	1,1	11700	SE.X1204
R220.53-0100-12-10A	Arbor	6,0	112,0	100,0	77,0	32,0	50,0	10	1,7	10500	SE.X1204
R220.53-0125-12-12A	Arbor	6,0	137,0	125,0	90,0	40,0	63,0	12	3,1	9400	SE.X1204

Spare Parts

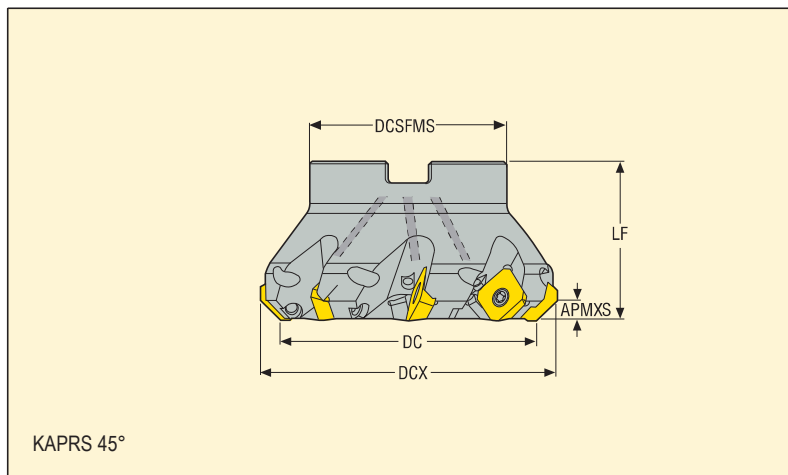
For cutter	Key (T-handle)	Insert screw	Insert key	Arbor screw	Torque value (Nm)
R220.53-0040-0063	DOUBLE-T	C04011-T15P	H4B-T15P	220.17-696	3,5
R220.53-0080	DOUBLE-T	C04011-T15P	H4B-T15P	—	3,5
R220.53-0100-0125	DOUBLE-T	C04011-T15P	H4B-T15PL	—	3,5

Please check availability in current price and stock-list
Torque keys, see page 732

R220.53-12



- For insert selection and cutting data recommendations, see page(s) 147–148
- For complete insert programme, see page(s) 662
- For ISO attribute explanation, see page 15



Designation	Type of mounting	Dimensions in mm							 KG		Insert
		APMXS	DCX	DC	DCSFMS	DCB	LF				
R220.53-0063-12-9A	Arbor	6,0	75,0	63,0	47,0	22,0	40,0	9	0,6	13200	SE.X1204
R220.53-0080-12-11A	Arbor	6,0	92,0	80,0	62,0	27,0	50,0	11	1,1	11700	SE.X1204
R220.53-0100-12-12A	Arbor	6,0	112,0	100,0	77,0	32,0	50,0	12	1,7	10500	SE.X1204
R220.53-0125-12-14A	Arbor	6,0	137,0	125,0	90,0	40,0	63,0	14	3,1	9400	SE.X1204
R220.53-8160-12-17	Arbor	6,0	172,0	160,0	130,0	40,0	63,0	17	5,3	8300	SE.X1204
R220.53-8200-12-20	Arbor	6,0	212,0	200,0	160,0	60,0	63,0	20	7,2	7400	SE.X1204

Spare Parts

For cutter	Key (T-handle)	Insert screw	Insert key	Front insert key	Torque value (Nm)
R220.53-0063	DOUBLE-T	C04008-H3	H6B-H3.0	T15P-E8	3,5
R220.53-0080-8160	DOUBLE-T	C04008-H3	H6B-H3.0	T15P-E8	3,5
R220.53-8200	DOUBLE-T	C04008-H3	H6B-H3.0	T15P-E8	3,5

Please check availability in current price and stock-list
Torque keys, see page 732